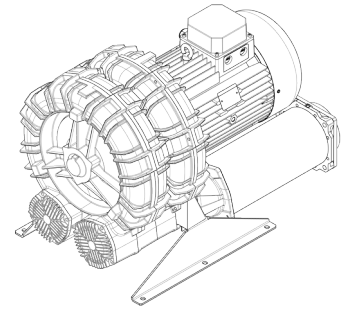


Technical Characteristics	
<ul style="list-style-type: none"> Aluminum alloy construction Smooth operation Maintenance free 	
Electric Motor	
<ul style="list-style-type: none"> IE3 Wide Range cURus Motors IP 55 protection rating, class F insulation, suitable for operating with inverter (refer to FPZ) Thermal Protector (PTO) as standard 	
Options	
<ul style="list-style-type: none"> Special voltages (IEC 60038) Surface treatments Increased seal version 	

~3	[V] (Y / Δ)	[Hz]
IE3	690 / 400	50
	795 / 460	60
Wide Range	600 – 720 / 345 – 415	50
	660 – 830 / 380 – 480	60

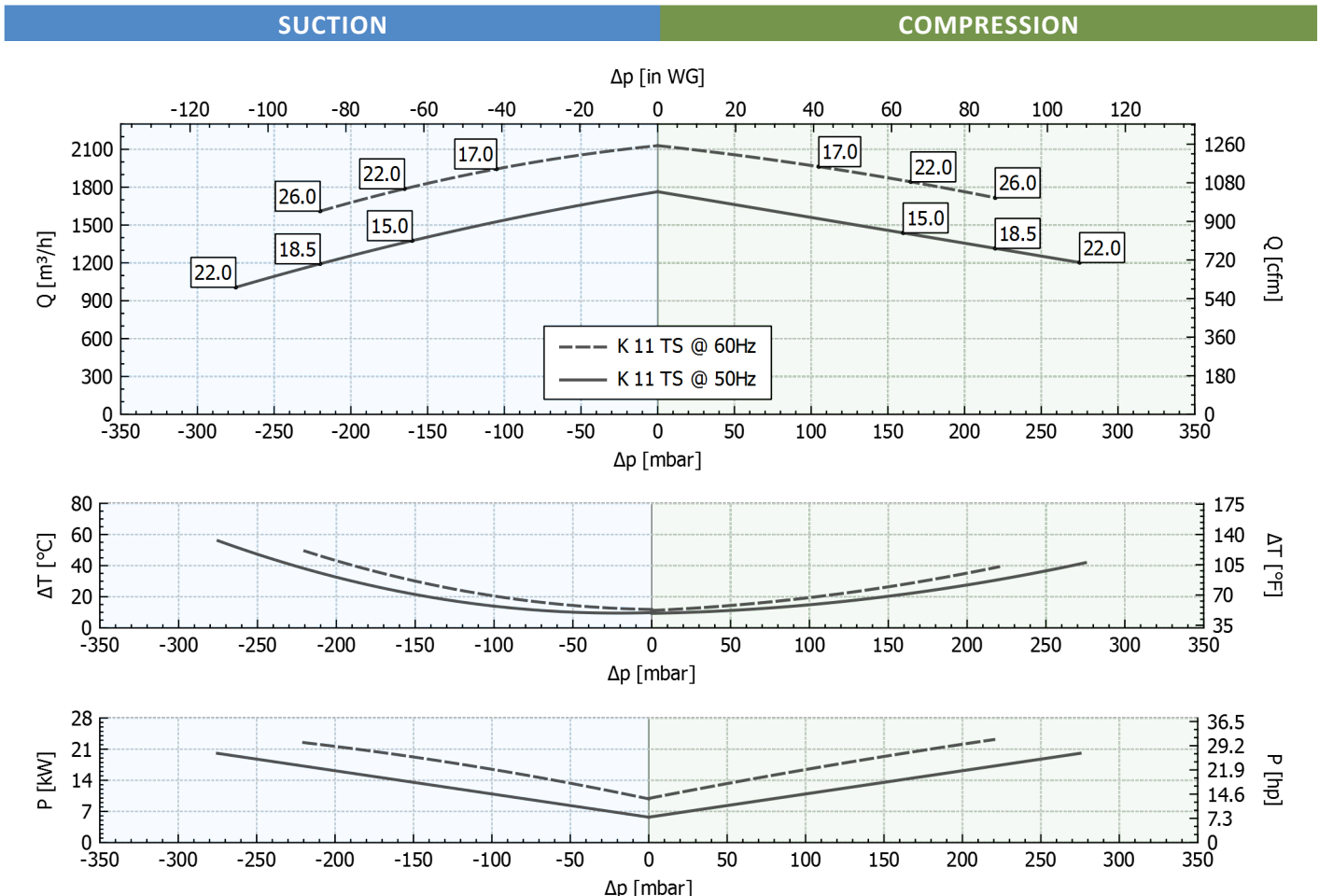
Supply voltage - Tolerance on the fixed voltage value $\pm 10\%$, in range $\pm 5\%$.



Performance Table

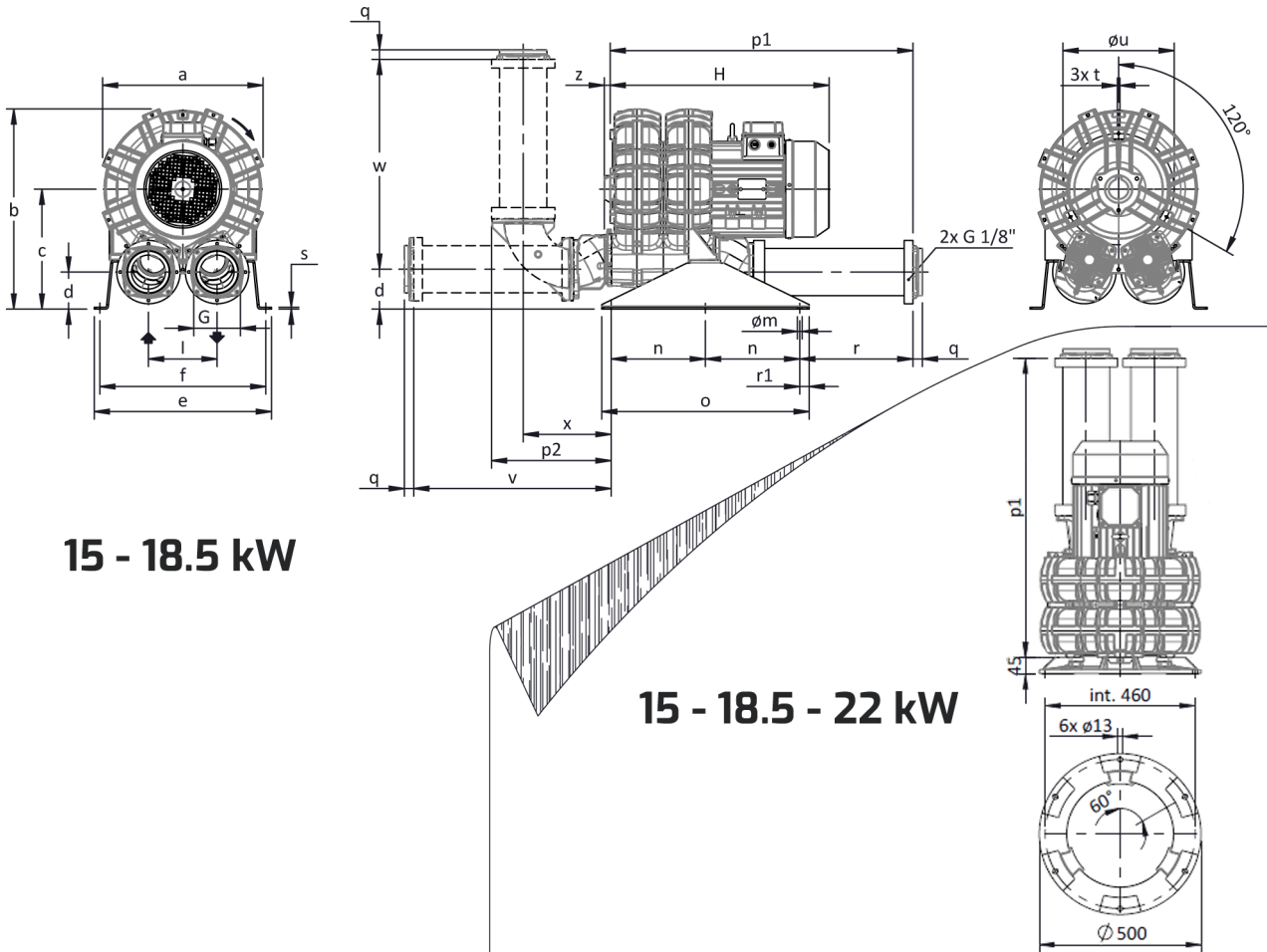
P _n [kW]	Frequency [Hz]	Δp _{max} [mbar]		Q _{max} [m³/h]	Leq ¹ [dB(A)]	Weight [kg]	H ² [mm]	Current Consumption (Y/Δ) [A]		Cosφ [-]	Speed [rpm]
		Suction	Compression					IE3	Range		
15	50	160	160	1764	87.3	173.5	742	16.2 / 28.1	17.5-16.4 / 30.4-28.4	0.84	2935
17	60	105	105	2129	90	173.5	742	15.5 / 26.8	17.8-15.5 / 30.9-26.9	0.86	3535
18.5	50	220	220	1764	87.3	200	800	19.5 / 33.8	21.4-19.6 / 37.1-33.9	0.85	2950
22	60	165	165	2129	90	200	800	19.6 / 34.0	23.1-19.5 / 40.0-33.8	0.87	3550
22 ³	50	275	275	1764	87.3	209.5	800	23.1 / 40.0	25.2-23.2 / 43.7-40.2	0.85	2955
26 ³	60	220	220	2129	90	209.5	800	23.0 / 39.9	26.9-22.8 / 46.6-39.5	0.87	3555

- Noise level measured at a distance of 1 m with ducted intake and delivery, in accordance with Standard ISO 3744.
- See figure "dimensions" at following page.
- Installable only vertically.



Tolerance on indicated values $\pm 10\%$.
Data subject to change without notice.
Curves referring to air at a temperature of 20 °C and atmospheric pressure of 1013 mbar (abs).

Dimensions



Configuration with a vertical silencer is only available with the CK accessory kit; for all assembly options refer to Effepizeta.
Dimensions in mm
NOT Binding

a	b	c	d	d1	e	f	G	l	l1	l2	m	n	o	p1	p2	q	r	r1	s	t	u	v	w	x	y	z
542	650	380	106	-	540	508	G 5"	228	-	-	13	250	550	870	462	35	320	25	5	M8	390	573	608	352	-	16

INSTALLATION

- For proper operation of the machine, it must be provided with a suction FILTER and a vacuum/pressure limiting VALVE.
- Other accessories are available on request.
- Permissible ambient and fluid temperature in suction from -15 °C to +40 °C.
- Read the instruction manual carefully before installing the machine.